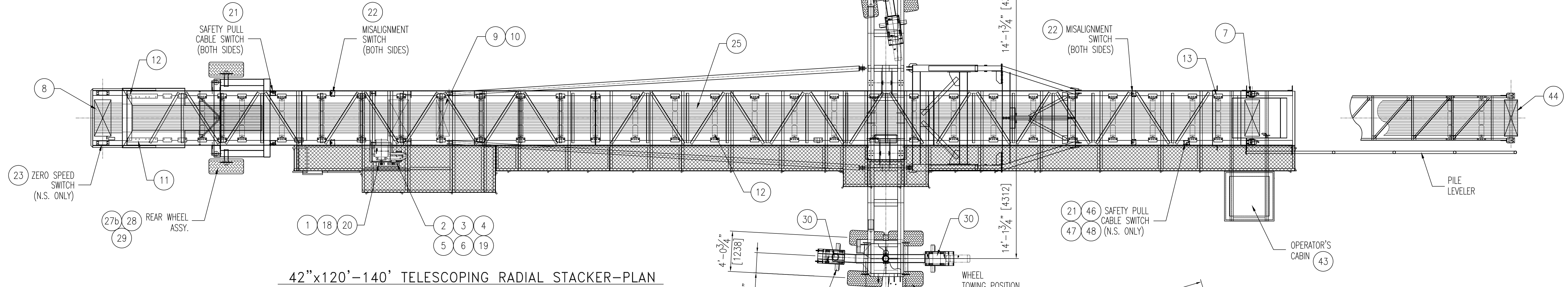
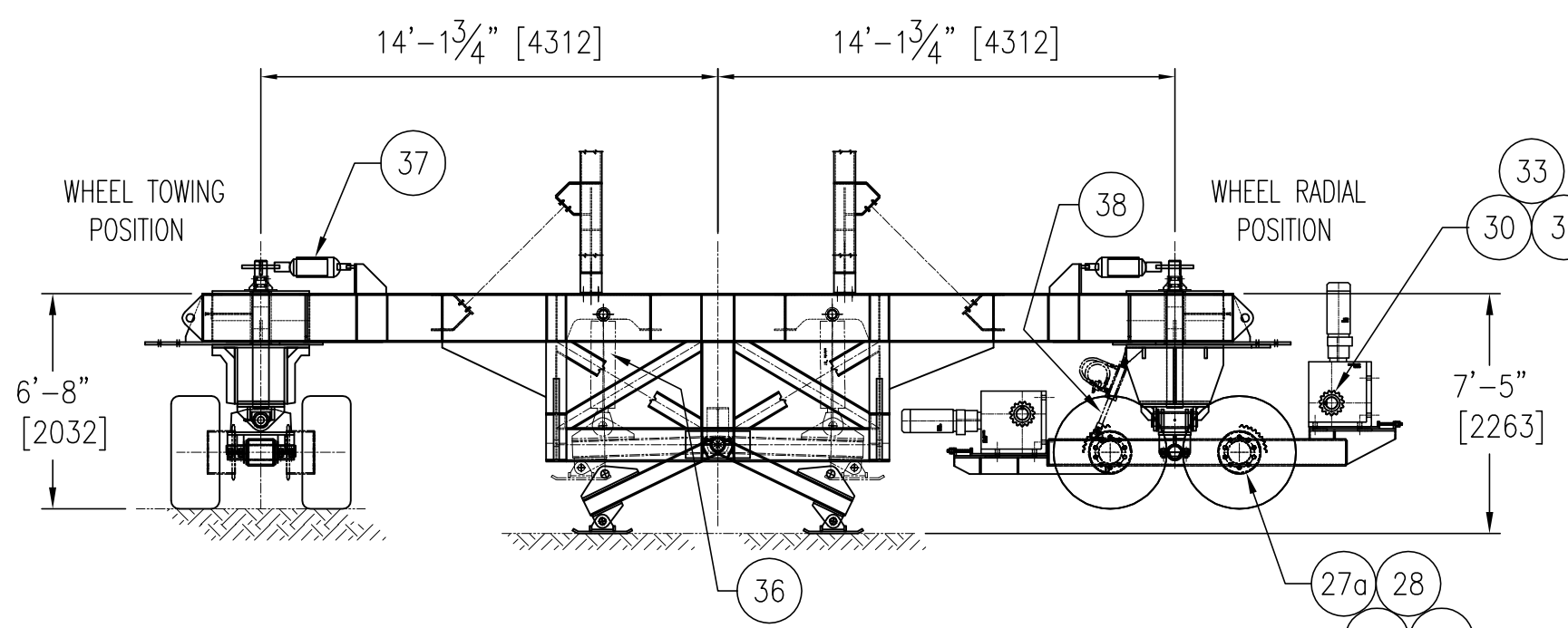


**IDLER LEGEND**

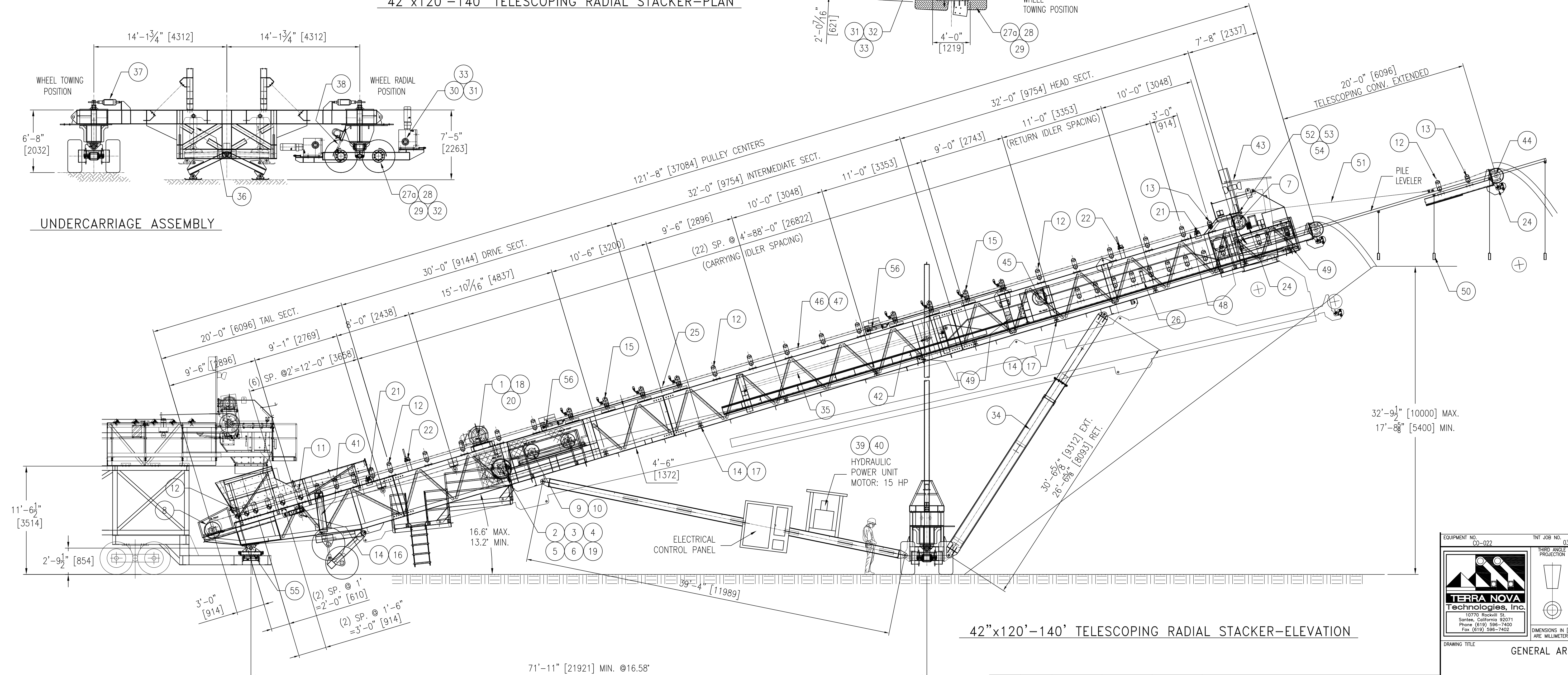
|  |            |
|--|------------|
|  | REGULAR    |
|  | TRANSITION |
|  | IMPACT     |
|  | TRAINING   |
|  | WORK POINT |



42'x120'-140' TELESCOPING RADIAL STACKER-PLAN



UNDERCARRIAGE ASSEMBLY



42'x120'-140' TELESCOPING RADIAL STACKER-ELEVATION

THIS DRAWING IS THE PROPERTY OF TERRA NOVA TECHNOLOGIES, INC. AND THE INFORMATION CONTAINED HEREIN IS CONFIDENTIAL AND SHALL NOT BE COPIED, DISCLOSED OR USED WITHOUT THE EXPRESS WRITTEN CONSENT OF TERRA NOVA TECHNOLOGIES, INC.

71'-11" [21921] MIN. @16.58°  
72'-6 3/4" [22117] MAX. @13.15°

| ZONE | REV | DATE     | BY | APPROVED | REVISION/DESCRIPTION         |
|------|-----|----------|----|----------|------------------------------|
| --   | 1   | 08/25/05 | LR | RE       | UPDATED FOR BOM              |
| --   | 0   | 04/22/05 | LR | RE       | ISSUED FOR CUSTOMER APPROVAL |

|   |                   |                         |               |                    |      |
|---|-------------------|-------------------------|---------------|--------------------|------|
| EQUIPMENT NO. CO-022  |                   | TNT JOB NO. 03333       |               | P.O. NO. KPG-E-127 |      |
| THIRD ANGLE PROJECTION  |                   | DRAWN BY LR             | CHECKED BY    | DATE 04/22/05      | DATE |
| <br>10770 Rockville St.<br>San Jose, California 95271<br>Phone (619) 596-7400<br>Fax (619) 596-7402 |                   | DESIGN APPROVED RE      | DATE 04/--/05 | DATE               |      |
|   |                   | STRUCTURAL APPROVED     | DATE          |                    |      |
|   |                   | PROJ. MGR/ENGR APPROVED | DATE          |                    |      |
|   |                   | CLIENT APPROVED         | DATE          |                    |      |
| DIMENSIONS IN [ ] ARE MILLIMETERS   |                   |                         |               |                    |      |
| DRAWING TITLE GENERAL ARRANGEMENT   |                   |                         |               |                    |      |
| EQUIPMENT NAME 42'x 120'/140' TELESCOPING RADIAL STACKER  |                   |                         |               |                    |      |
| SCALE 3/16"=1'-0"   | DWG NO. 033330101 | SHEET NO. D             | REV 1         | OF 1               | 0    |